



PERRIN & ROWE[®]
MAYFAIR LONDON

**STAINLESS STEEL
KITCHEN SINKS**

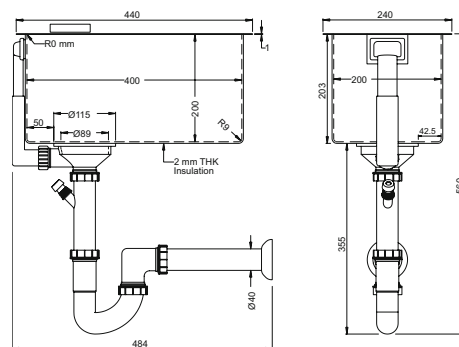
Stainless Steel Sinks

The Stainless Collection

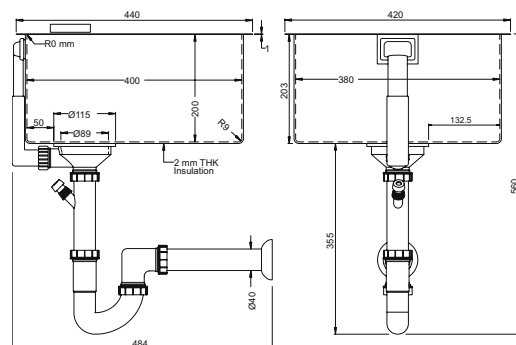
Perrin & Rowe stainless steel sinks are not just any sink. They are a fully insulated bowl providing acoustic deadening and heat-retention. Gone are the days of disturbance from late-night dish-washing enthusiasts. These sinks will also retain the heat in your water longer with the full wrap of insulation, for extra squeaky-clean dishes.

Perrin & Rowe sinks are built of rigid high-quality stainless steel that is expertly cut and welded. The sides and base have been carefully sculpted to give the aesthetic of a zero-radius sink, whilst allowing for easy cleaning and drainage. The quality steel resists staining while the bottom boasts a diamond shaped base that assists in drainage towards the waste – meaning less time spent cleaning the messy dregs from the corners of your sink.

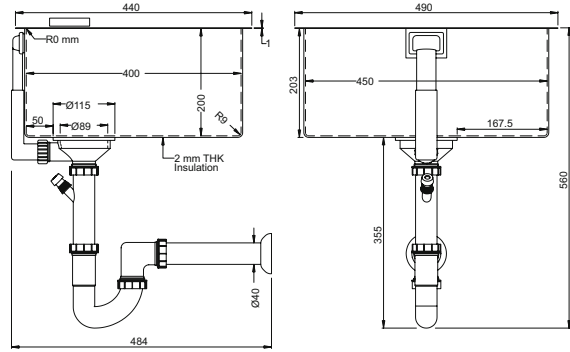
A range of sizes allows you to mix and match to suit your needs. Choose your main sink based on the size of your oven trays, with a second sink beside for symmetry or positioned elsewhere as a smaller accessory sink.



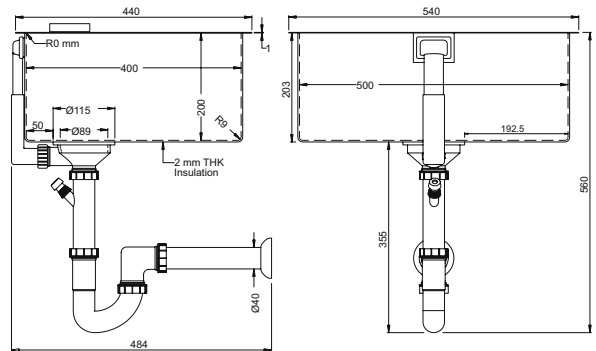
SS-2620SS-200-SINK
200mm Stainless Steel Sink



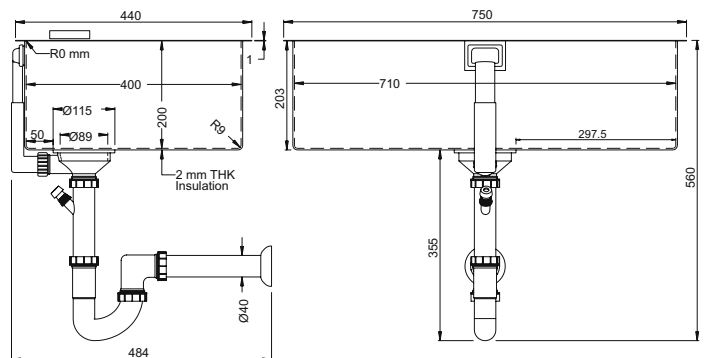
SS-2638SS-380-SINK
380mm (450mm Cabinet) Stainless Steel Sink



SS-2645SS-450-SINK
450mm (600mm Cabinet) Stainless Steel Sink



SS-2650SS-500-SINK
500mm (600mm Cabinet) Stainless Steel Sink



SS-2671SS-710-SINK
710mm (800mm Cabinet) Stainless Steel Sink



IN RESIDENCE

219 GREAT SOUTH ROAD, GREENLANE, AUCKLAND 1051

09 309 3023 • www.inres.co.nz