

JOSEPH GILES



# A Guide to Hanging Rails

IN RESIDENCE

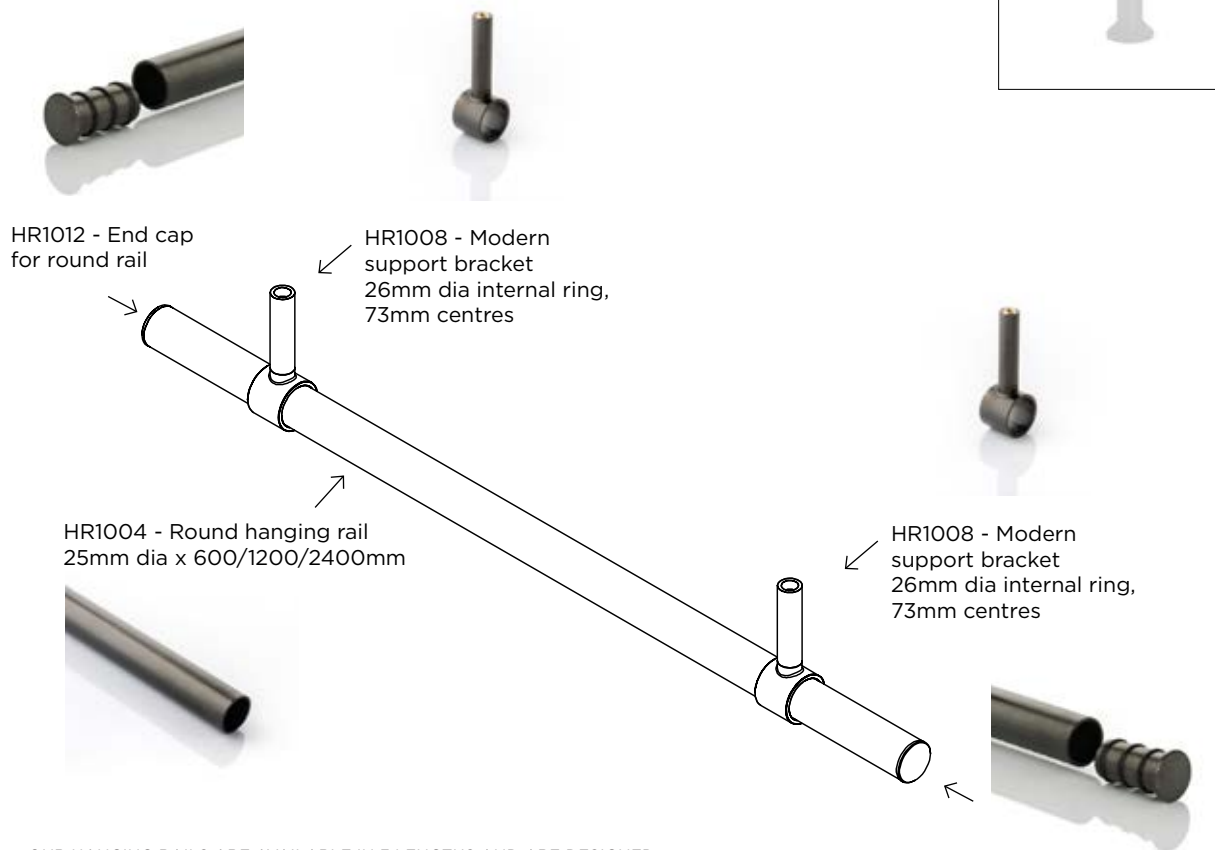
219 GREAT SOUTH ROAD, GREENLANE, AUCKLAND 1051 • [www.inres.co.nz](http://www.inres.co.nz)

# JOSEPH GILES



## MODERN ROUND HANGING RAIL - FLOATING ENDS

EXAMPLE LAYOUT CODE: HREX1



- OUR HANGING RAILS ARE AVAILABLE IN 3 LENGTHS AND ARE DESIGNED TO BE CUT DOWN TO THE REQUIRED SIZE.
- WE ADVISE USING A SUPPORT BRACKET WHEN THE LENGTH OF THE RAIL IS MORE THAN 1200MM, OR IF THERE ARE PARTICULARLY HEAVY GARMENTS.
- EACH PIECE IS SUPPLIED WITH THE NECESSARY FIXINGS, ONCE INSTALLED THE FIXINGS ARE CONCEALED FROM VIEW.

HR1012 - End cap for round rail

# JOSEPH GILES

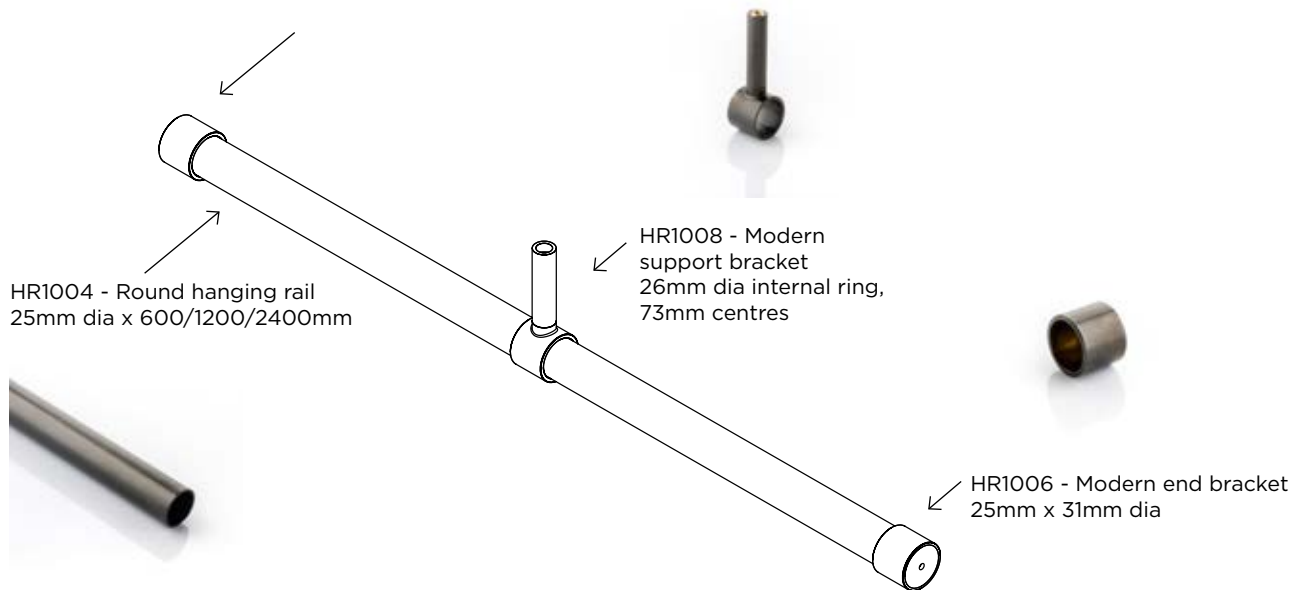


## MODERN ROUND HANGING RAIL - FIXED ENDS

EXAMPLE LAYOUT CODE: HREX2



HR1006 - Modern end bracket  
25mm x 31mm dia



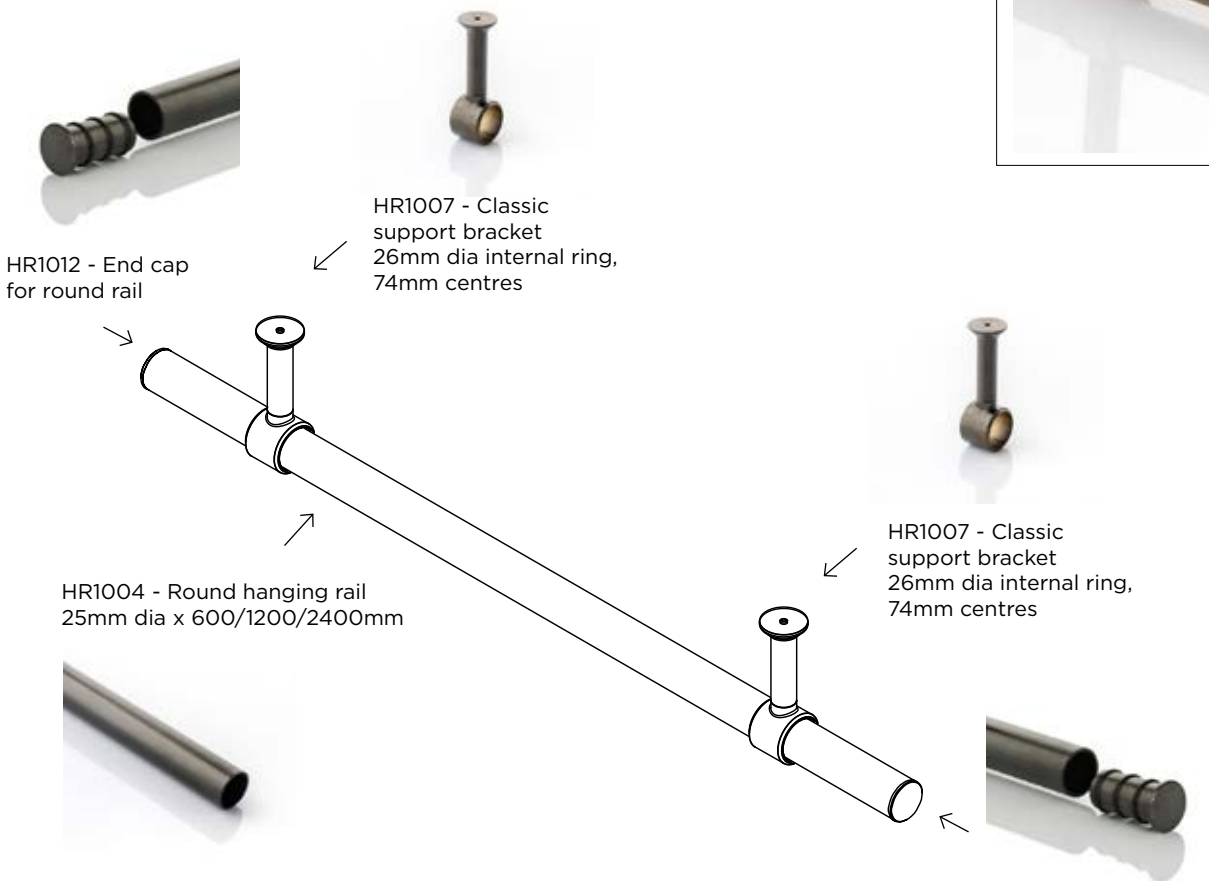
- OUR HANGING RAILS ARE AVAILABLE IN 3 LENGTHS AND ARE DESIGNED TO BE CUT DOWN TO THE REQUIRED SIZE.
- WE ADVISE USING A SUPPORT BRACKET WHEN THE LENGTH OF THE RAIL IS MORE THAN 1200MM, OR IF THERE ARE PARTICULARLY HEAVY GARMENTS.
- EACH PIECE IS SUPPLIED WITH THE NECESSARY FIXINGS, ONCE INSTALLED THE FIXINGS ARE CONCEALED FROM VIEW.

# JOSEPH GILES



## CLASSIC ROUND HANGING RAIL - FLOATING ENDS

EXAMPLE LAYOUT CODE: HREX3



- OUR HANGING RAILS ARE AVAILABLE IN 3 LENGTHS AND ARE DESIGNED TO BE CUT DOWN TO THE REQUIRED SIZE.
- WE ADVISE USING A SUPPORT BRACKET WHEN THE LENGTH OF THE RAIL IS MORE THAN 1200MM, OR IF THERE ARE PARTICULARLY HEAVY GARMENTS.
- EACH PIECE IS SUPPLIED WITH THE NECESSARY FIXINGS, ONCE INSTALLED THE FIXINGS ARE CONCEALED FROM VIEW.

HR1012 - End cap for round rail

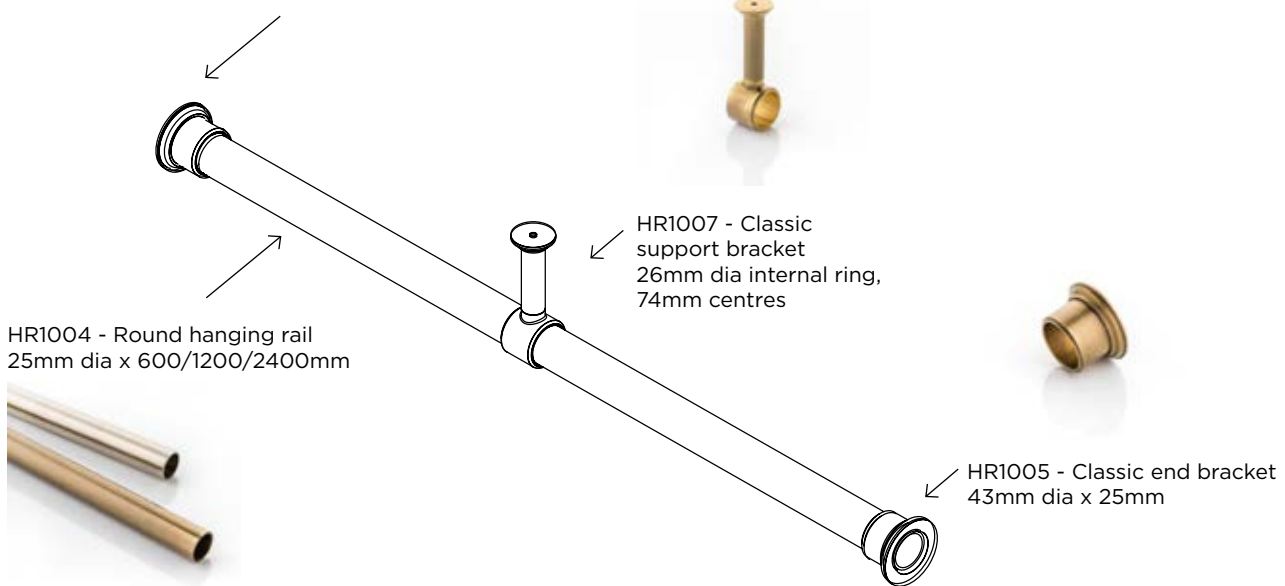


## CLASSIC ROUND HANGING RAIL - FIXED ENDS

EXAMPLE LAYOUT CODE: HREX4



HR1005 - Classic end bracket  
43mm dia x 25mm



- OUR HANGING RAILS ARE AVAILABLE IN 3 LENGTHS AND ARE DESIGNED TO BE CUT DOWN TO THE REQUIRED SIZE.
- WE ADVISE USING A SUPPORT BRACKET WHEN THE LENGTH OF THE RAIL IS MORE THAN 1200MM, OR IF THERE ARE PARTICULARLY HEAVY GARMENTS.
- EACH PIECE IS SUPPLIED WITH THE NECESSARY FIXINGS, ONCE INSTALLED THE FIXINGS ARE CONCEALED FROM VIEW.

## RECTANGULAR HANGING RAIL - HANGING ENDS

EXAMPLE LAYOUT CODE: HREX5

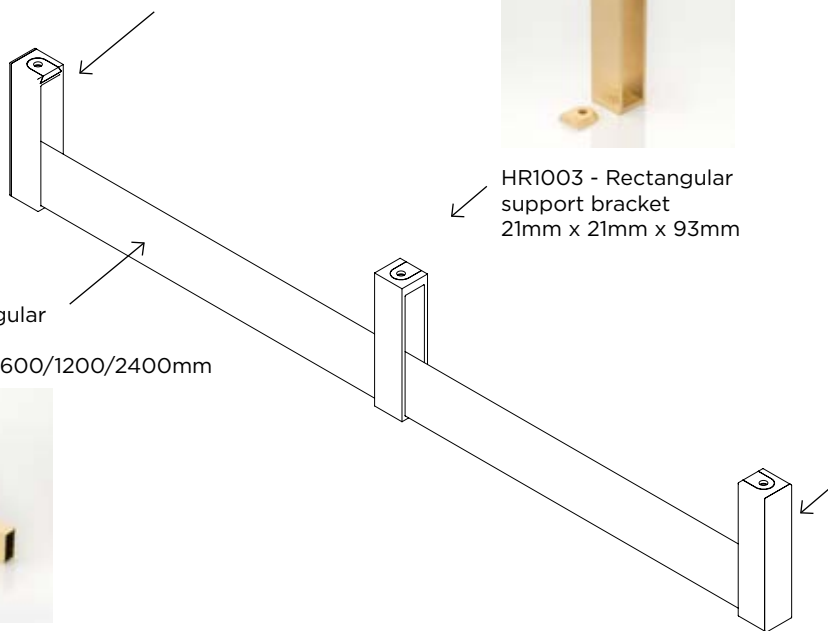


HR1009 - Rectangular  
end bracket (LH)  
21mm x 21mm x 93mm



HR1003 - Rectangular  
support bracket  
21mm x 21mm x 93mm

HR1001 - Rectangular  
hanging rail  
15mm x 30mm x 600/1200/2400mm



HR1009 - Rectangular  
end bracket (RH)  
21mm x 21mm x 93mm



- OUR HANGING RAILS ARE AVAILABLE IN 3 LENGTHS AND ARE DESIGNED TO BE CUT DOWN TO THE REQUIRED SIZE.
- WE ADVISE USING A SUPPORT BRACKET WHEN THE LENGTH OF THE RAIL IS MORE THAN 1200MM, OR IF THERE ARE PARTICULARLY HEAVY GARMENTS.
- EACH PIECE IS SUPPLIED WITH THE NECESSARY FIXINGS, ONCE INSTALLED THE FIXINGS ARE CONCEALED FROM VIEW.





## RECTANGULAR HANGING RAIL - FIXED ENDS

EXAMPLE LAYOUT CODE: HREX6

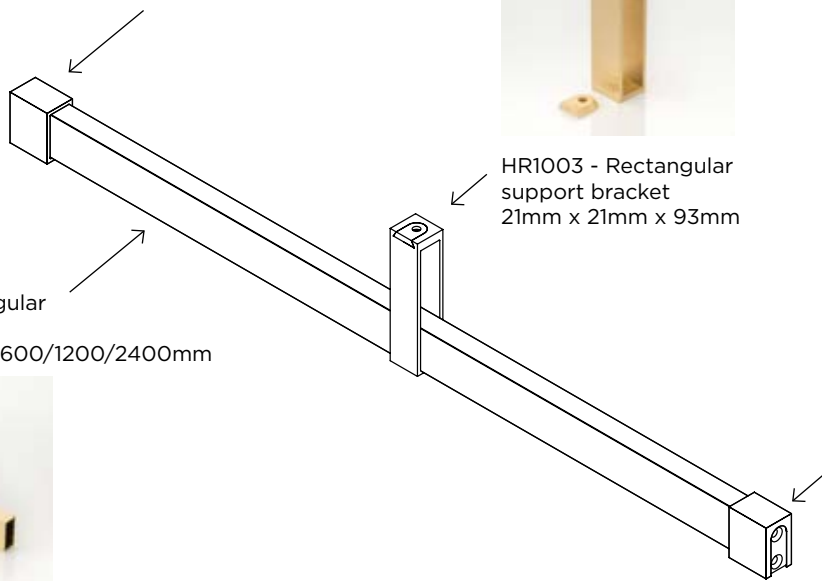


HR1002 - Rectangular  
end bracket  
30mm x 21mm x 36mm



HR1003 - Rectangular  
support bracket  
21mm x 21mm x 93mm

HR1001 - Rectangular  
hanging rail  
15mm x 30mm x 600/1200/2400mm



HR1002 - Rectangular  
end bracket  
30mm x 21mm x 36mm



- OUR HANGING RAILS ARE AVAILABLE IN 3 LENGTHS AND ARE DESIGNED TO BE CUT DOWN TO THE REQUIRED SIZE.
- WE ADVISE USING A SUPPORT BRACKET WHEN THE LENGTH OF THE RAIL IS MORE THAN 1200MM, OR IF THERE ARE PARTICULARLY HEAVY GARMENTS.
- EACH PIECE IS SUPPLIED WITH THE NECESSARY FIXINGS, ONCE INSTALLED THE FIXINGS ARE CONCEALED FROM VIEW.

# IN RESIDENCE

219 GREAT SOUTH ROAD, GREENLANE, AUCKLAND 1051 • [www.inres.co.nz](http://www.inres.co.nz)