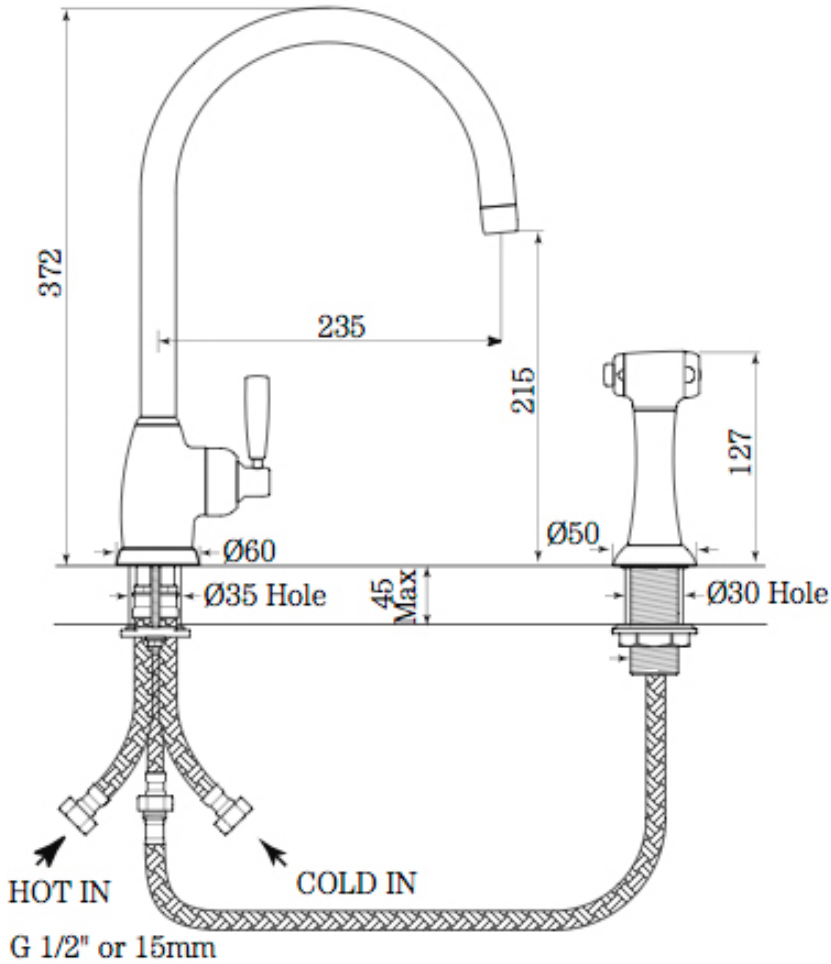


Specification Sheet - N.4846 - Mimas with 'C' spout and spray rinse



Specifications



- Premium quality tapware
- Made in England
- Produced from solid brass
- German quarter-turn ceramic disc valves. Min 5°C - max 85°C
- Suitable for low and uneven water pressure. Max inlet pressure 500 kpa
- Select from Chrome or Pewter finishes
- Five year warranty