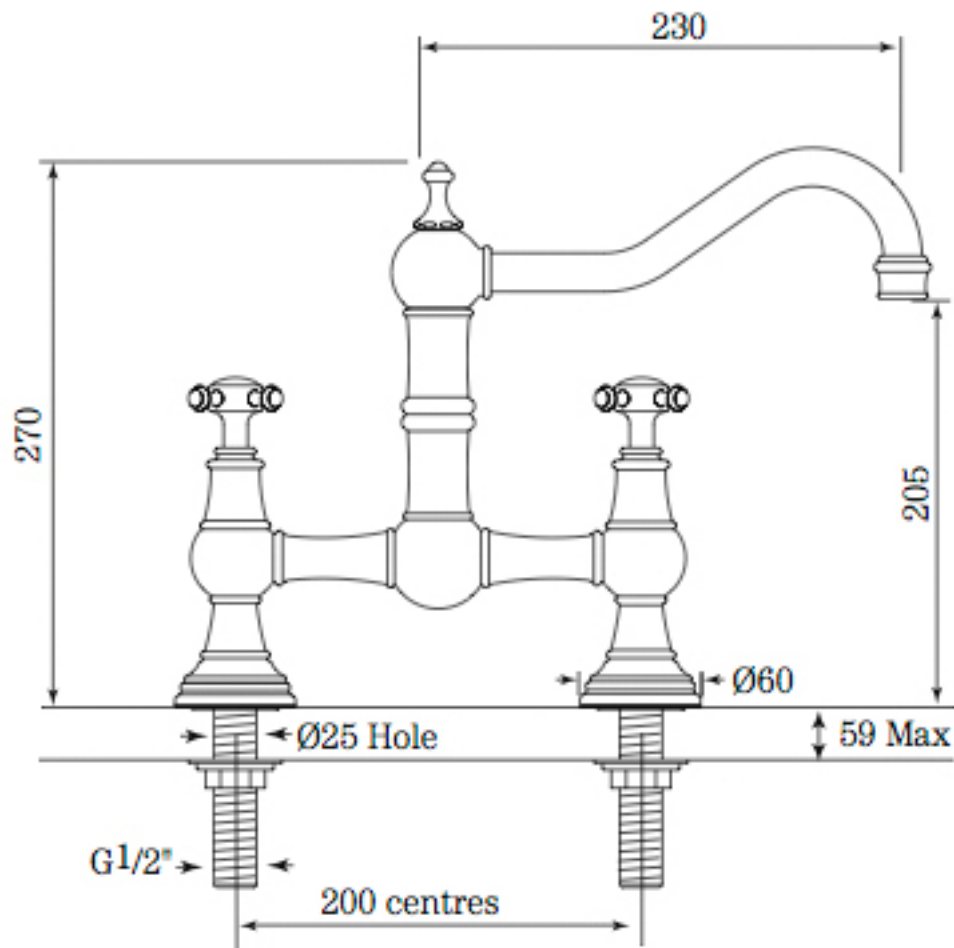




Specification Sheet - N.4751 - Provence with levers



N.4750 Provence with crossheads
N.4751 Provence with levers

- Premium quality tapware
- Made in England
- Produced from solid brass
- German quarter-turn ceramic disc valves. Min 5°C - max 85°C
- Suitable for low and uneven water pressure. Max inlet pressure 500 kpa
- Select from Chrome, Nickel, Pewter, Gold, English Bronze or uncoated bare brass
- Metal lever handles can be changed to Porcelain or Corian as an optional extra
- Five year warranty

Specifications