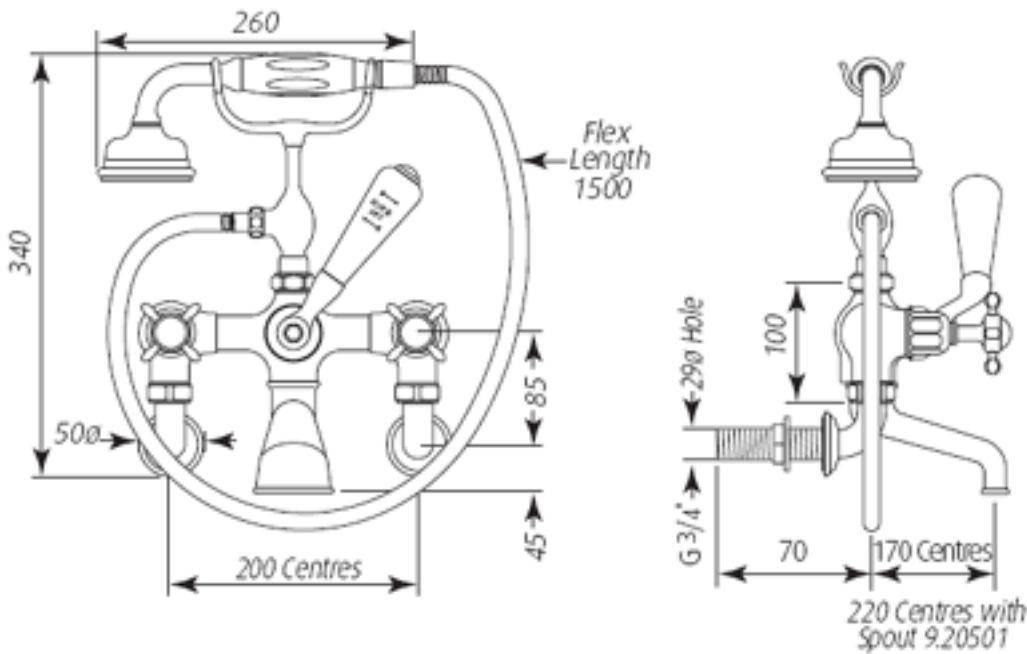


Specification Sheet - N.3511/1

- Bath mixer on wall unions
with crossheads & handshower in cradle

Specifications



- Made in England
- Premium quality tapware
- Produced from solid brass
- WaterMarked certified for compliance with Australia's tapware Standards
- Suitable for low and uneven water pressure. Max inlet pressure 500 kpa
- Select from Chrome, Nickel, Pewter, Gold, English Bronze or uncoated bare brass
- Five year warranty